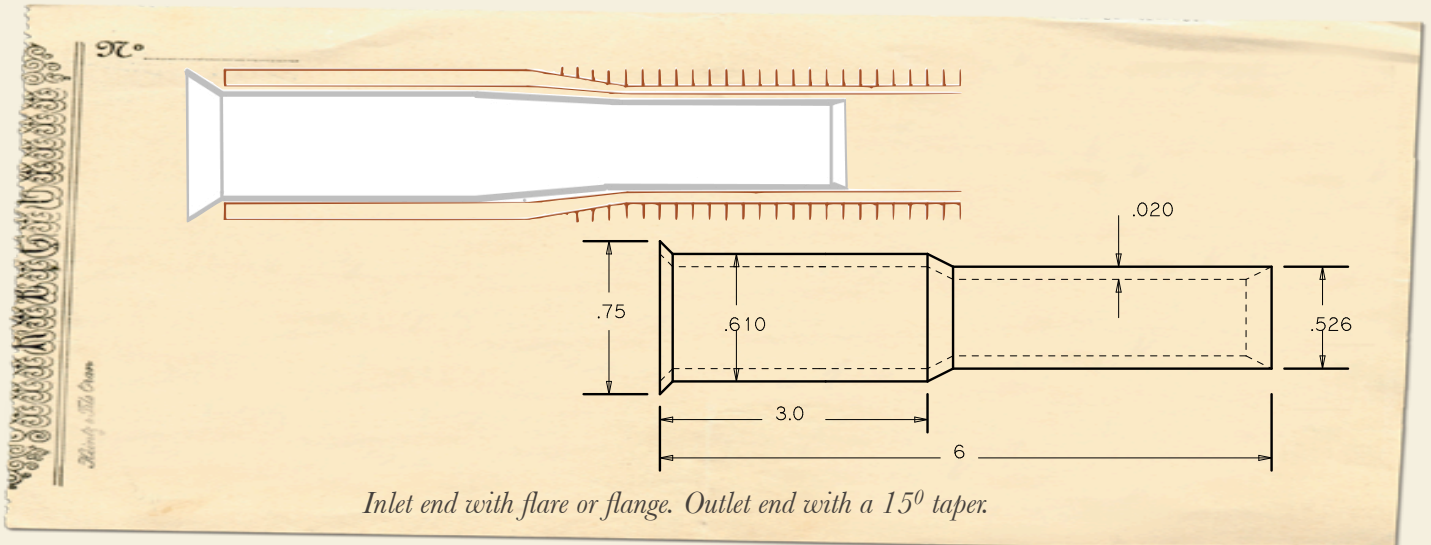


FERRULES

Integral Fin Tube Ferrule

PROTECT THE INLET END OF THE TUBE FROM EROSION/CORROSION

NS Industries manufactures ferrules for use in integral fin tubes. A fin tube is one of the most expensive exchanger tubes configurations that can be installed into a heat exchanger. It would be prudent to protect the inlet end of the tube from the most common cause of failure, erosion/corrosion.



An integral fin tube typically has a plain end of 2" long then a transition to the ID under the fins. Ferrules are designed to compensate for the two different ID's. The inlet end has a flare or a flange and the outlet end has a 15° taper. The taper provides a transition from the ID of the ferrule to the ID of the fin tube reducing turbulence. Integral fin tube ferrules can be manufactured with a wall thickness as light as 0.020 and lengths up to 12" long.



NSI supplies nickel, copper, titanium, and duplex alloys, as well as all stainless steels. When selecting an alloy for an integral fin ferrule, an upgrade from the existing heat exchanger tube should be considered. For example, if the heat exchanger has a copper or admiralty brass fin tube, an upgrade to 90/10 or 70/30 Cu/Ni alloy is best. Likewise, if carbon steel is used, an upgrade to an austenitic stainless or duplex stainless steel is an option. An upgrade of material will provide better resistance to erosion/corrosion.

For more information or to request a quote, please call Harry Brocklehurst today at [606.387.4095](tel:606.387.4095).

Now Accepting

